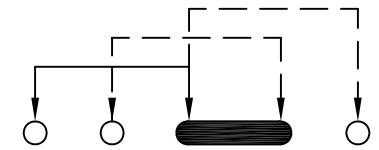
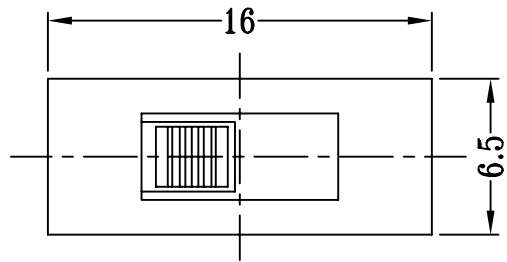
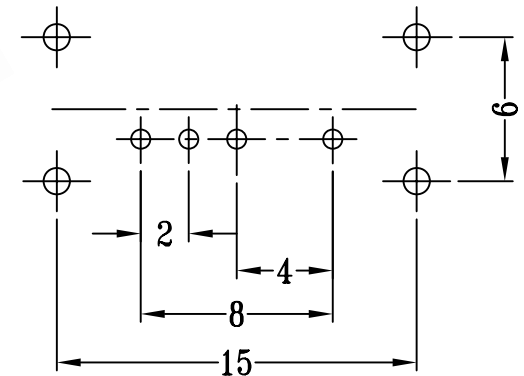
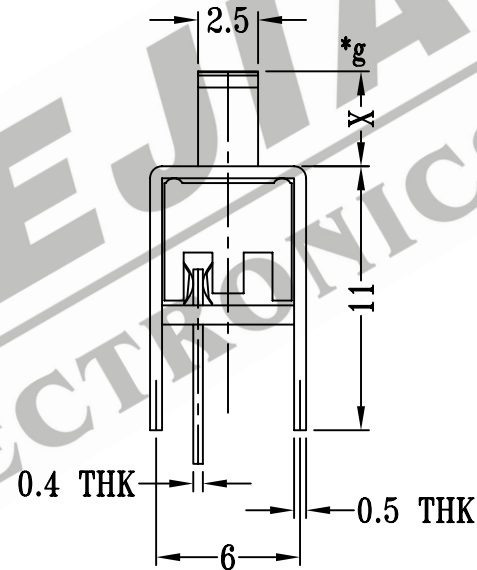
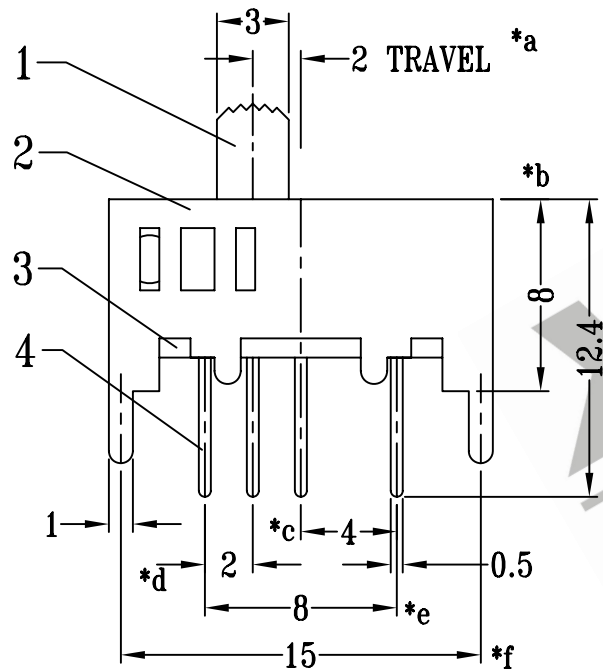


CAD FILE:



SCHEMATIC (SHORTING)



P.C.B LAYOUT

注:带"\*"表示关键尺寸(7个)

| NO. | PART NAME    | MATERIAL       | Q'TY | FINISHING                | TOLERANCE UNLESS SPECIFIED | SHENZHEN XIEJIA ELECTRONICS CO.,LTD.    |  |      |  |                           |                            |
|-----|--------------|----------------|------|--------------------------|----------------------------|---|--|------|--|---------------------------|----------------------------|
| 8   |              |                |      |                          |                            | ISSUE                                   |  | DATE |  | DESCRIPTIONS              | APPD.                      |
| 7   | STEEL BALL   | STEEL          | 1    | NATURAL                  | WITHIN: 1.5±0.1mm          | TITLE : VERTICAL SLIDE SWITCH           |  |      |  | UNIT : MM                 | DRWG NO.: XJ-DR-SS13D13-00 |
| 6   | SPRING       | STEEL WIRE     | 1    | TEMPER                   | OVER : 1.5±0.2mm           | MODEL: SS-13D13                         |  |      |  | SCALE: 3:1                | DWN. ZHOUYU 2002-7-14      |
| 5   | CONTACT CLIP | PBS STRIP      | 1    | Ag PLATED                |                            | ALL MATERIALS MUST BE COMPLIANT TO ROHS |  |      |  | CHK'D FANGYING 2002-7-14  |                            |
| 4   | TERMINAL     | BRASS STRIP    | 4    | Ag PLATED OVER Ni PLATED |                            |   |  |      |  | APPD. KANGXINAN 2002-7-14 |                            |
| 3   | BASE         | PHENOLIC RESIN | 1    | NATURAL                  |                            |   |  |      |  |                           |                            |
| 2   | FRAME        | STEEL STRIP    | 1    | Ni PLATED                |                            |   |  |      |  |                           |                            |
| 1   | KNOB         | POM            | 1    | BLACK                    |                            |   |  |      |  |                           |                            |